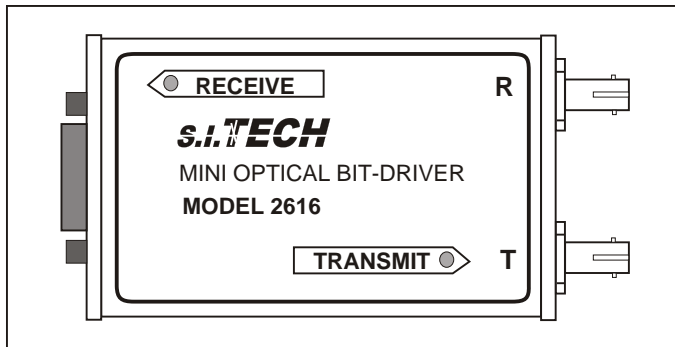


# Optical Asynchronous Mini Bit-Driver Point to Point



**Features:**

- 0 to 115.2 Kbps asynchronous, RS-485 half duplex operation
- 6600 ft. (2Km) distance capability
- -40 °C to +80 °C (-20 °C to +60 °C SM) operating range
- ST connector receptacle (SMA option)
- Designed to work with Siemens Systems or other PLC

**RS - 485 9 PIN CONNECTOR - FEMALE  
PINS UTILIZED BY 2616 MINI BIT - DRIVER**

Pin No.	Description	Symbol
1	Signal Ground	SG
2	NC	
3	Data (+)	D +
5	Signal Ground	SG
6	NC	
7	Termination (+)	T +
8	Termination (-)	T -
9	Data (-)	D -

**Operation Mode:** Asynchronous, bi-directional, half duplex

**Input/Output Interface:** RS-485, 9 pin type D, asynchronous at 0 to 115.2 Kbps\*\*\* connects directly to terminal (RS 485 cable not required)

**Transmission Line Interface:** ST connector is standard for interfacing with fiber optic cable (SMA option)

**Transmission Distance:** See distance chart

**Optical Power into a 50 Micron**

**Core Optical Fiber:** 10 microwatts, 10 dB power budget\* @ 850 nanometers (1300nm option)

**Receiver Sensitivity:** 1 microwatt at less than 10<sup>-9</sup> bit error rate

**Operating Temperature:** -40 °C to +80 °C (-20 °C to +60 °C SM)

**Metal Enclosure:** 1.75 x 3 x 0.625 in (4.5 x 7.5 x 1.6 cm)  
Panel or DIN rail mounting options

**Weight:** 0.25 lb (100 grams)

**Input Power:** External with power supply (S.I. Tech #2121 - 110VAC to 12 Volt DC)

**230V Version:** Use S.I.Tech 2122 power supply  
\*\*\* Data rate must be set at factory

*Meets FCC requirements of Class A, Part 15 Computing Devices Standard.  
Specifications subject to change without notice.*



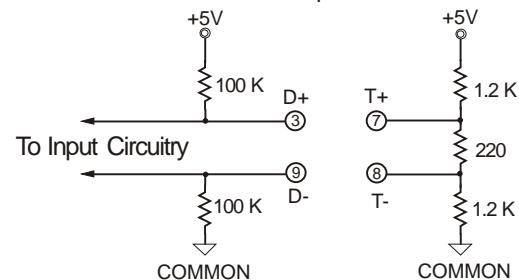
**OPERATING DISTANCE FOR FIBER OPTIC CABLE**

Fiber Size (Microns)	Attenuation dB/km	Distance Meters*	Distance Feet*
50	3.0	2000	6600
62.5	4.0	2000	6600
100	5.0	2000	6600
10 SM**	1.0	7000	23000

\* High power option available

\*\* SM - Single mode (1300nm) option

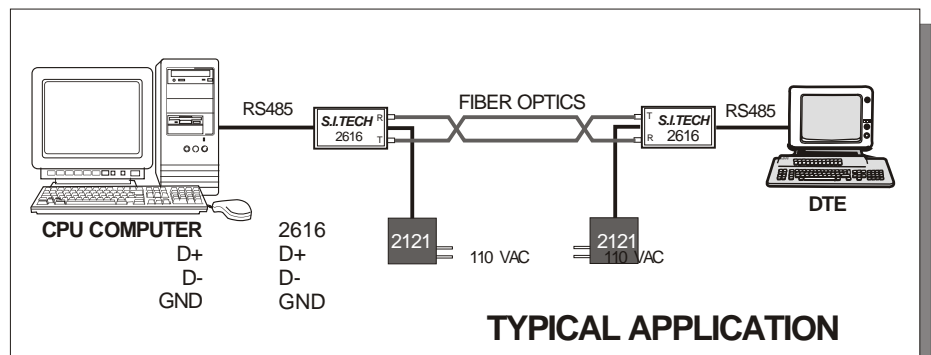
**Termination Resistors provided in Bit-Driver**



**ORDERING INFORMATION**

**Model Numbers**

- 2616 RS485 to Multimode Fiber, ST
- 2616-SM RS485 to Single Mode Fiber, ST
- 2616-DIN Multimode, ST, Dinrail Unit
- 2616-SM-DIN Single Mode, ST, Dinrail Unit



**TYPICAL APPLICATION**