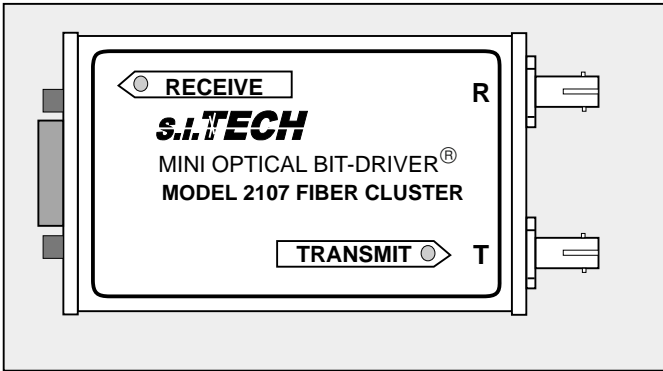


Model 2107



Fiber Cluster[®] Mini Bit-Driver[®]



Features:

- Custom designed for UNISYS NGEN WORKSTATIONS B28, B38, and B39 SERIES
- Point to point links up to 6 km
- 24 Workstation Cluster using S.I.Tech optical (Fiber Cluster[®]) coupler Model 9024 with up to 2 km between workstations
- Daisy Chain up to 5 NGEN WORKSTATIONS per cluster (requires two 2107 Bit-Drivers[®] per Workstation or five optical couplers)
- Cluster line termination included in 2107
- Suitable for secure locations

Operation Mode: Synchronous half duplex

Input/Output Interface: DB-9F RS-485 Cluster port operating at 1.8 Mbps

Transmission Line Interface: ST connector is standard for interfacing with fiber optic duplex cable (SMA option)

Optical Power into a 62.5

Micron Core Optical Fiber: 10 microwatts, 12 dB power budget* @ 850 nanometers

Receiver Sensitivity: 50 nanowatts at less than 10⁻⁹ bit error rate, 25 microwatts max.

Operating Temperature: 0 °C to 50 °C

Metal Enclosure: 1.75 x 3 x 0.625 in (4.5 x 7.5 x 1.6 cm)
Panel or DIN rail mounting option

Weight: 0.25 lb (100 grams)

Input Power: External with power supply (S.I. Tech #2121 - 110VAC to 12 Volt DC)

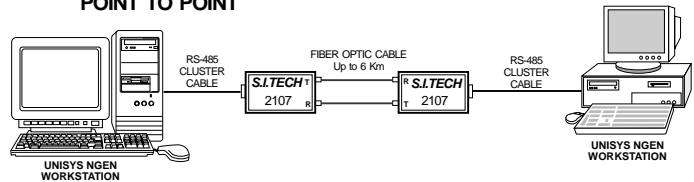
230V Version: Use S.I.Tech 2122 power supply

Meets FCC requirements of Class A, Part 15 Computing Devices Standard.
Specifications subject to change without notice.

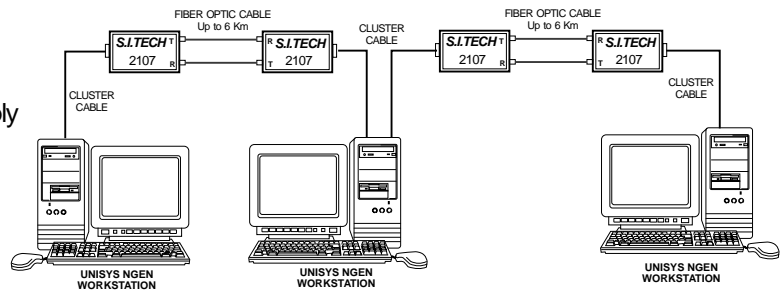


TYPICAL APPLICATIONS

POINT TO POINT



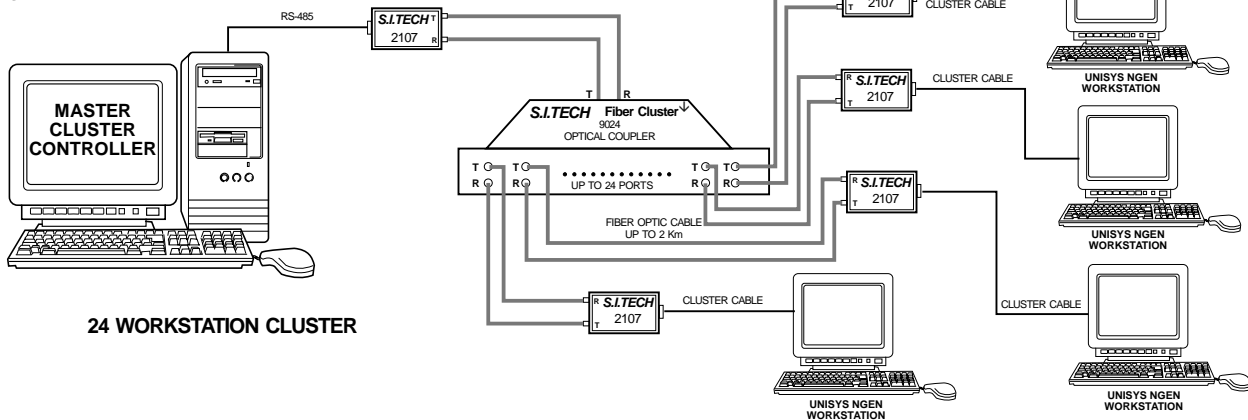
DAISY CHAIN (5 WORKSTATIONS MAX.)



OPERATING DISTANCE FOR FIBER OPTIC CABLE

Fiber Size (Microns)	Attenuation dB/km	Distance Meters*	Distance Feet*
50	3.0	2000	6600
62.5	4.0	2000	6600
100	5.0	2000	6600

* High power option available



24 WORKSTATION CLUSTER