

Model 2550



Features:

- Supports 10 Base - FL or FOIRL Standards
- Small size
- Link Status, Receive Data, Transmit Data, and Power LED indicators
- ST or SMA optical connectors

S.I.Tech 2550 Ethernet Fiber Optic Transceiver is a compact adapter for connection of Ethernet based equipment to any fiber optic 10 Base FL/ FOIRL network. The transceiver connects to RJ45 and provides ST or SMA fiber optic connectors. Four LED indicators provide a visible verification of transmission status and transceiver functions.

Model 2150-POE



Features:

- Supports 10 Base-T/100 Base-TX and 10 Base-FL/100 Base-FX Standard with Auto-Negotiation
- Supports 10 Base-T/100 Base-TX with 802.3 AF Power over Ethernet Power Sourcing Equipment
 - POE Power Device Detection
 - POE PD Classification
 - POE End Span
- Small size
- Power, Link Status, Activity, and Collision LED indicators
- ST or SC optical connections (ST, SC, or FC options for Single Mode)
- Auto negotiation between 10 and 100 Mbps speeds
- Plug & Play - No Setup Required

S.I. Tech 2150POE media converter works in conjunction with 2150-10/100A media converter for connections between Ethernet equipment and Ethernet powered devices over fiber. The unit contains LED indicators to provide visible verification of transmission status and media converter functions.

Model 2160



Features:

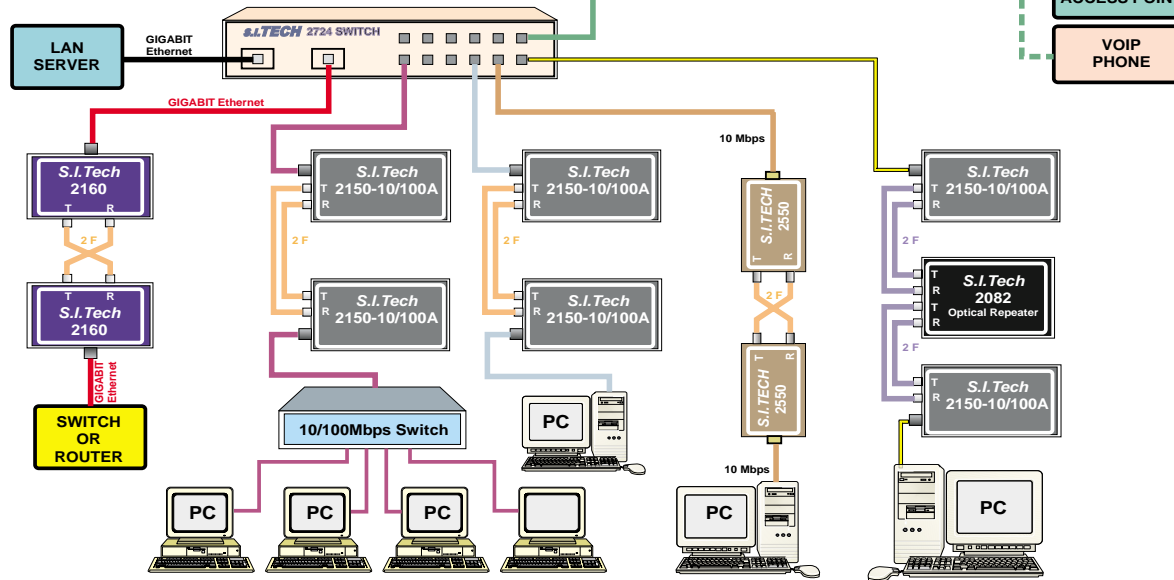
- Supports IEEE 802.3x 1000Base-T 1Gbps twisted pair link
- Meets IEEE 803.3x clock jitter and frequency variation specifications.
- Full duplex operation
- Auto MDI/MDI-X (Automatic detection of straight or crossover twisted pair cables)
- Automatic master/slave determination
- SC optical connectors standard
- Wide range input power: 12 to 60 VDC, 10W

LED Indicators:

- Optical Power Detect
- Optical Receiver Signal Lock
- Ethernet Link Established
- 1Gbps Operation
- Activity and Collision
- Available with 850nm multimode or 1310nm single mode optics
- Multiple optical power configurations to support 5, 10, and 20 Km fiber runs (single mode only)

The S.I.Tech 2160 Bit-Driver is intended to extend the length of Gigabit Ethernet links to up to 20Km for long haul backbone applications. Once installed the 2160's are completely transparent to the system. Units must be installed in pairs, the 2160 is not a 1000Base-T to 1000Base-SX/LX media converter. Network timing limitations and fiber attenuation may limit maximum transmission distance to less than 20Km.

S.I. TECH ETHERNET LAN SOLUTIONS



Model 2724



Features:

- Up to twenty four (24) auto-MDIX 10/100 ports
- Two independently configurable hot swappable uplink Ethernet ports
- Choice of uplink Ethernet ports: 100 Base FX; 1000 Base-T; 1000 Base-SX; 1000 Base-LX; GBIC/SFP Module
- Capacity: 8.8 Gbps switch fabric, 6K MAC address, 4K VLANs
- Layer 2 switch features including: MAC learning; aging and forwarding
- Mac filtering; STP, fast STP; Port based network access control (802.1x)
- Uni-directional and Bi-directional Port mirroring
- Layer 2+ and Additional Feature: Head of Line Blocking prevention; Bandwidth Allocation on a per port basis; port security and access control
- OAMP Features: BOOTP/DHCP; Software and configuration update using TFTP, XMODEM; POST and diagnostics; User interface (CLI, Telnet, WBI); RADIUS (to support port security feature)
- SNMP, RMON

S.I.Tech # 2724 is a layer 2 Ethernet switch with performance and features that are required to support Enterprise LAN based applications.

S.I.Tech # 2724 offers 24-10/100 Mbps Ethernet ports plus 2 uplink Ethernet ports. The uplink Ethernet ports are available in standard 100 Base-FX, 1000 Base-T, as well as SX (multimode), LX (single mode) and GigaBit/Small Form Factor plug-in modules.

Model 2724 basic platform supports commonly used Layer 2 features such as VLAN, STP, Link aggregation, and Layer 2+ features as bandwidth control. It can support 6K MAC addresses and 4K VLANs.

Model 2150-10/100A



Features:

- Supports 10 Base-T/100 Base-TX and 10 Base-FL/100 Base-FX Standard
- Small size
- Power, Link Status, Activity, and Collision LED indicators
- ST or SC optical connections (ST, SC, or FC options for Single Mode)
- Auto senses between 10 and 100 Mbps speeds
- Plug & Play - No Setup Required

S.I.Tech 2150 Ethernet media converter is a compact adapter for connection of Ethernet based equipment over fiber optic cable at 10 Base-T/100 Base-TX and 10 Base-FL/100 Base-FX. It uses ST or SC for Multimode fiber and ST, SC, or FC for Single mode fiber. Model 2150 auto senses and switches between 10 and 100 Mbps. The unit contains LED indicators to provide visible verification of transmission status and media converter functions.

Model 2082



Features:

- Data Rates from 10 Mbps to 1000 Mbps full duplex
- Optical repeater compatible with Ethernet or other LANs, WAN, Switches, and Routers
- Powered by S.I.Tech #2164 Power Supply
- Multimode or single mode option
- Status indicators
- Single fiber option
- Convert multimode to single mode

S.I.Tech 2082 is designed to be used as a repeater on fiber optic links. It can be used to extend the distance of a network link up to 10 Km with single mode fiber or it can also be used to convert from multimode to single mode fiber.