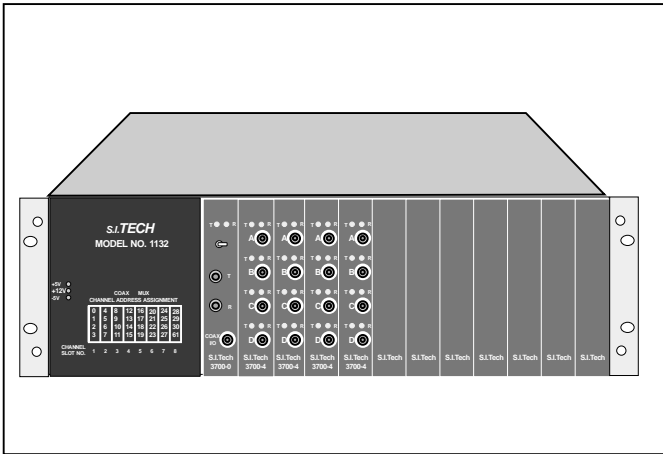


Coax to Fiber Optic Multiplexer



The S.I.Tech 3700 Multiplexer is designed to work with IBM Main-frame computers and 3174, 3274, and other coaxial controllers using coax cable. Model 2870 Bit-Driver[®] is for 1 port while model 3799, a 4 port mux, is for 8 to 1 premultiplexed signals. Model 3700 multiplexers can be used up to 32 ports.

ORDERING INFORMATION

Base Equipment

- HFS1102-121 Standard 19" rack with backplane
- HFS1132 5V power supply card (slots A1 and A2)
- 3700-0 Single trunk controller card (slot A3)

Multiplexer Group

- 3700-4 4 Channel coax interface
- 3701-4 4 Channel fiber interface
- 3702-4 4 Channel twisted pair RJ11 interface
- HFS1195-001 Standard slot blank panel

OPERATING DISTANCE FOR FIBER OPTIC CABLE

Fiber Size (Microns)	Attenuation dB/km	Distance* Meters	Distance* Feet
50	3.0	2000	6600
62.5	4.0	2000	6600
10.0 sm	1.0	5000	16000

*Options: High power, 1300 nm multimode fiber, 1300 nm singlemode (sm) fiber

Optical unit connection: Connect the optical transmission line to the T and R receptacles. Note which cable channel goes to T or R by noting cable imprint. On the other end, reverse the connection. Note: S.I.Tech multiplexer can support one IBM controller i.e. all 32 channels of 3700 must come from the same IBM controller such as 3174/3274 etc.

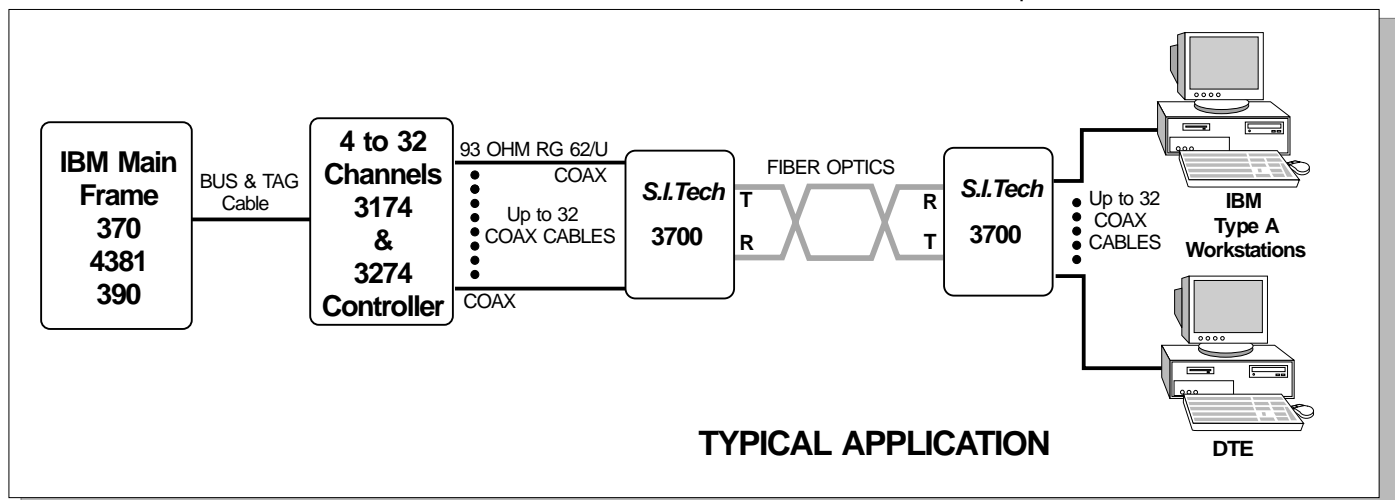
If other than coax cable is used, use balun (impedance matching transformer)

Meets FCC requirements of Class A, Part 15 Computing Devices Standard.

Specifications subject to change without notice.

IBM is a registered trademark of International Business Machines Corp.

- Operation Mode:** Synchronous, simplex or full duplex, 2.35 Mbps, data each port
- Input/Output Interface:** 93 ohm coax BNC bulkhead jack IBM SNA Protocol
- Number of Channels:** 4 to 32
- Transmission Line Interface:** 2 ST connector fiber optic receptacles (SMA option)
- Data link Speed:** 5 Mbps
- Transmission Distance:** 6600 ft. (2.0 Km) (5 Km option)
- Transmitter Output Power:** 30 microwatts into 50 micron fiber
- System Wavelength:** 820 nanometers (1300 nm option)
- Receiver Sensitivity:** 3 microwatts at less than 10^{-9} bit error rate
- Operating Temperature:** 0 °C to 50 °C
- Input Power:** 110/220 VAC, 50/60 Hz, 20 W, detachable power cord
- Metal Enclosure:** Standard 19" rack with backplane or 19" X 5.25" X 15"
- Weight:** 12 lbs. (5.45Kg) full loaded



TYPICAL APPLICATION