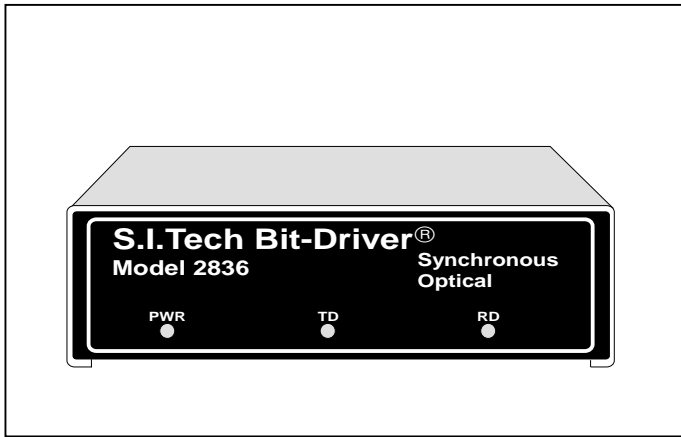


Model 2836



Twinox to Fiber Optic Bit-Driver[®] - IBM Systems 3/X & AS/400



The S.I.Tech 2836 Bit-Driver[®] is designed to work with IBM 3/X & AS/400 systems using twinox cable. Model 2836 Bit-Driver is a twinox to fiber optic transmitter/receiver full duplex product implementing IBM Protocol. Normal operating data rate is 1 Mbps.

This fiber optic Bit-Driver product eliminates many disadvantages of twinox, especially EMI/RFI, ground loops (electrical isolation with fiber), high attenuation (high signal loss), limiting distance between nodes of system (5000 feet max. twinox), and potential lightning damage outdoors between buildings.

S.I.Tech Model 2836 is a stand alone product allowing easy change from twinox to fiber. Simply disconnect twinox and connect to model 2836 input/output port. Model 2836 comes with power supply and status indicators.

- Operation Mode:** Synchronous, half or full duplex
1 Mbps, Serial Bi-phase data
- Input/Output Interface:** 100 ohm twinox bulkhead jack, IBM Protocol
- Transmission Line Interface:** ST connector fiber optic receptacles (SMA option)
- Transmission Distance:** 6600 ft. (2 Km) (5 Km option)
- Transmitter Output power:** 30 microwatts into 50 micron fiber
- System Wavelength:** 820 nanometers (1300 nm option)
- Receiver Sensitivity:** 3 microwatts at less than 10^{-9} bit error rate
- Operating Temperature:** 0 °C to 50 °C
- Metal Enclosure:** 7.5" X 7" X 3" (19 X 17.8 X 7.6 cm)
- Weight:** 3 lb (1.36 kg)
- Input Power:** 110 VAC, 50/60 Hz, 10 W
- 230V Version:** 2836V
- Rack Mount Version:** Model 2336 - RJ11 connector (3000 rack)

OPERATING DISTANCE FOR FIBER OPTIC CABLE

Fiber Size (Microns)	Attenuation dB/km	Distance Meters*	Distance Feet*
50	3.0	2000	6600
62.5	4.0	2000	6600
10 SM**	1.0	7000	23000

* High power option available

** Single mode (1300nm) option (Maximum distance depends upon IBM timeout spec.)

Meets FCC requirements of Class A, Part 15 Computing Devices Standard.

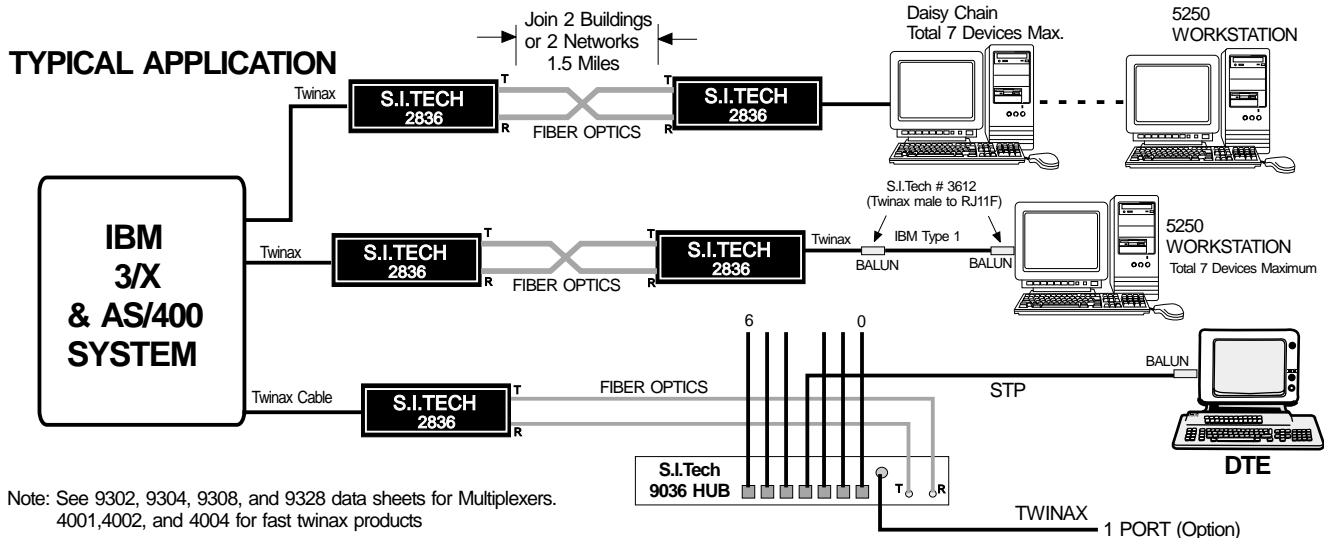
Specifications subject to change without notice.



Optical Unit Connection: Connect the optical transmission line to the T and R receptacles. Note which cable channel goes to T or R by noting the cable imprint. On the other end, reverse the connections.

- IBM Specifications: Twinox 5000 ft. (1524 m) max; Local ports - 7 devices max; Remote ports - 4 devices max; 5751 Cluster controller; 5251 remote terminal controller; 5294 and 5394 controllers.
- If other than twinox cable is used, impedance matching transformers (Balun) are needed.
- Some fiber types in short distance application may overload the receiver.

IBM and AS/400 are trademarks of International Business Machines Corp.



Note: See 9302, 9304, 9308, and 9328 data sheets for Multiplexers. 4001,4002, and 4004 for fast twinox products