

Ethernet 3 Port Switch Bit-Driver



Features:

- Layer 2 switch meets IEEE 802.3
- Unmanaged 3 port (2 optical & 1 electrical) 10/100 Mbps switch
- Optical Ports 1 & 2 - Various combinations: MM/MM, MM/SM, M/SM - 100 Base FX
- Wire Port 3 - 10 or 100 BASE- T(x) wired as MDI - X
- Optic Connector options: ST/SC/LC/MT-RJ
- Status indicators: PWR, Link/Activity, 10/100
- Switch for port 3 configuration
- Ethernet switching:

Packet Buffer size	64KByte frame buffer
Bandwidth	1Gbps memory bandwidth
QoS	802.3p based priority separating incoming packets into high and low priority transmit queues
Address lookup	1K MAC address lookup table with 5 minutes aging
Frame discard	Discard illegal short and long frames according to 802.3u
10/100Base-T(X) Flow Control	Full duplex: 802.3x; Half duplex: back pressure
Auto - Negotiation	10 BASE-T, 100BASE TX

Operation Mode: 10/100 Base Ethernet switch
Ports: 3: Ports 1 & 2 - 100 Base FX
 Port 3 - wire port 10/100 Base-T(x)
Input/Output Interface: Shielded RJ-45, ST/SC/LC/MT-RJ
Transmission Distance: See chart
System Wavelength: 1300nm MM or SM
Data Rate: 10/100 Mbps
Bit Error Rate: 10⁻⁹ or better
Operating Temperature: -40 °C to +85 °C
Weight: 0.60 lb (272 grams)
Enclosure: IP30
Power: 10 to 28VDC, 5 watts
Size: 5.25" X 4.06" X 1.21"
 (133 X 103 X 31 mm)
 Flange mounting option
 DIN RAIL option
Relative Humidity: 10 to 90% Non condensing

Operating Distance for Fiber Optic Cable

Fiber Size (Microns)	Attenuation (dB/Km)	Distance (Meters)	Distance (Feet)
	Wavelength (nm)	Wavelength (nm)	Wavelength (nm)
	1300	1300	1300
50	1.0	6000	20000
62.5	1.0	6000	20000
10**	0.35	10000	33000

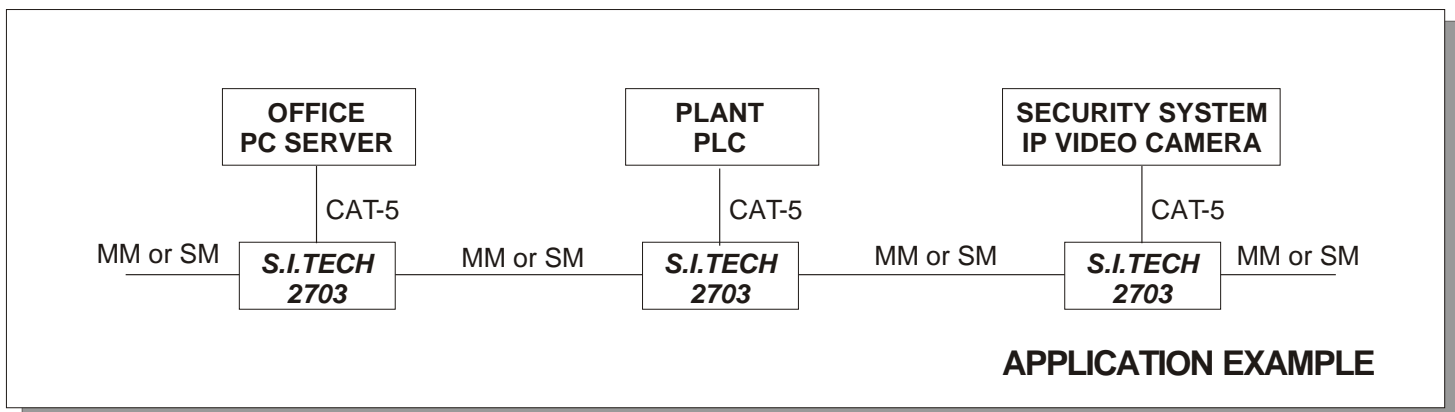
** Single mode option - 1300nm (for longer distances, high power, contact factory)

Optical Unit Connection: Connect the optical transmission line to the T and R receptacles. Note which cable channel goes to T or R by noting cable imprint. On the other end, reverse the connections.

ORDERING INFORMATION

2703-MM-MM Both optical ports multimode
 2703-MM-SM One port multimode, one port single mode
 2703-SM-SM Both optical ports single mode

UL listed. Meets FCC requirements of Class A, Part 15 Computing Devices Standard.
 Specifications subject to change without notice.



APPLICATION EXAMPLE