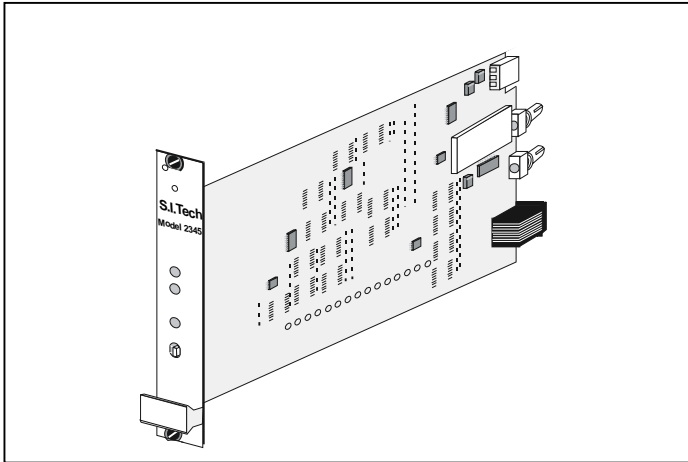


Optical Asynchronous Bit-Driver[®] Point to Point



Features:

- 9.6 Kbps asynchronous half duplex operation
- 6600 ft. (2 Km) distance capability
- 0 °C to + 50 °C operating range
- ST connector receptacle (SMA option)
- Designed to work with Johnson Controls System and with S.I. Tech Model 2110

OPERATING DISTANCE FOR FIBER OPTIC CABLE

Fiber Size (Microns)	Attenuation dB/km	Distance Meters*	Distance Feet*
50	3.0	2000	6600
62.5	4.0	2000	6600
10**	1.0	7000	23000

* High power option available

** Single Mode - 1300 nm option (Order 2345-SM)

Operation Mode: Asynchronous, half duplex RS-485 (8-pin RJ-45)

Input/Output Interface: Asynchronous at 9.6 Kbps

Transmission Line Interface: ST connector is standard for interfacing with fiber optic cable (SMA option)

Transmission Distance: See distance chart

Optical Power into a 50 Micron

Core Optical Fiber: 5 microwatts, 10 dB power budget @ 820 nanometers (High power option & 1300nm option)

Receiver Sensitivity: 250 nanowatts at less than 10⁻⁹ bit error rate

Operating Temperature: 0 °C to 50 °C

Enclosure: 19" rack

Card Size: Eurocard 3.9" x 6.8" (9.9 x 7.3 cm)

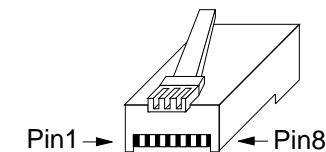
Weight: 0.5 lbs (200 grams)

Termination: A switch is provided to terminate RS-485 line

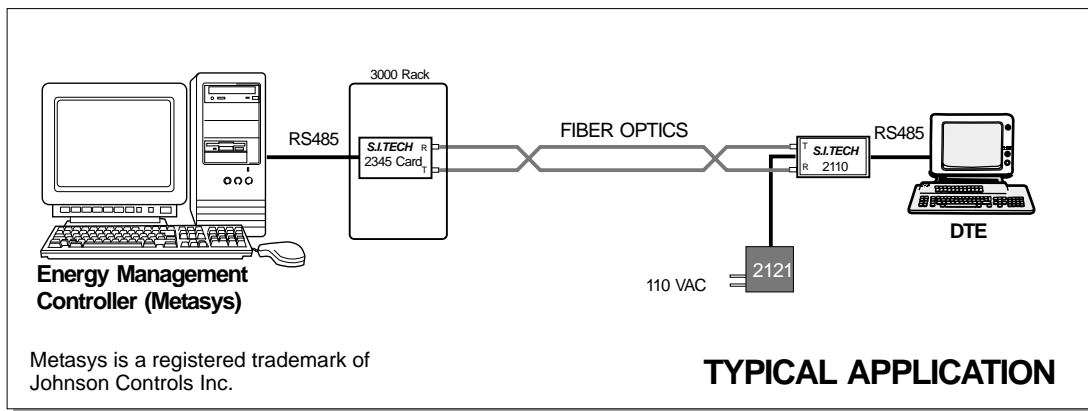
RS - 485 PINS UTILIZED BY 2345 CARD RJ-45 CONNECTOR (FEMALE)

Pin No.	Description	Symbol
1	No Connection	N/C
2	No Connection	N/C
3	No Connection	N/C
4	Data (Positive)	D +
5	Data (Negative)	D -
6	No Connection	N/C
7	Ground	GND
8	No Connection	N/C

RJ-45 Connector (Male)



*Meets FCC requirements of Class A, Part 15 Computing Devices Standard.
Specifications subject to change without notice.*



Metasys is a registered trademark of Johnson Controls Inc.

TYPICAL APPLICATION