

Model 2151



Industrial Ethernet to Fiber Optic Media Converter



Features:

- Supports 10 Base-T/100 Base-TX (IEEE 802.3) MDI Using Auto Negotiation or Manual Settings (Rate, Duplicity, Flow Control)
- Small size
- Mode Switches
- Power, Link Status, Activity, and Rate LED indicators
- ST, SC or MT-RJ for Multimode optical connections, SC or LC options for Single Mode
- Auto MDI-X Detection of Straight or Crossover Cables with Correction
- Plug & Play
- Redundant Power Input
- Conformal Coated
- Ruggedized Metal Enclosure (IP 40)

- Operation Mode:** Auto Negotiation and Manual Settings
- Input/Output Interface:** Shielded RJ45
- Transmission Line Interface:** ST optical connector is standard (SC, MT-RJ or LC optional)
- Transmission Distance:** See distance chart
- Transmitter Output Power:** 12 Microwatts into 62.5/125 micron fiber (-19dBm)
- System Wavelength:** 1300 nm Multimode (Single mode Option)
- Data Rate:** 10/100 Mbps
- Bit Error Rate:** 10⁻⁹
- Receiver Sensitivity:** 1 Microwatts @ 1300 nanometers (-30dBm)
- Operating Temperature:** -40°C to 70°C
- Humidity:** 0 to 95% Non Condensing
- Weight:** 0.8 lb (365 grams)
- Input Power:** 10 to 32VDC, 3 Watts
Redundant Power Input
- Metal Enclosure:** 4.15" X 3.65" X 1.21"
(10.54 X 9.27 X 3.00 cm)
DIN Rail Mounting

S.I.Tech 2151 Ethernet media converter is a compact adapter for connection of Ethernet 10 Base-T/100 Base-TX equipment over fiber optic cable at 100 Base-FX. It uses ST, SC or MT-RJ for Multimode fiber and SC or LC for Single mode fiber.

During auto negotiation, the 2151 pair choose the best common mode of operation (half/full duplex, 10/100 Mbps).

The unit contains LED indicators to provide visible verification of transmission status and media converter functions.

Operating Distance for Fiber Optic Cable

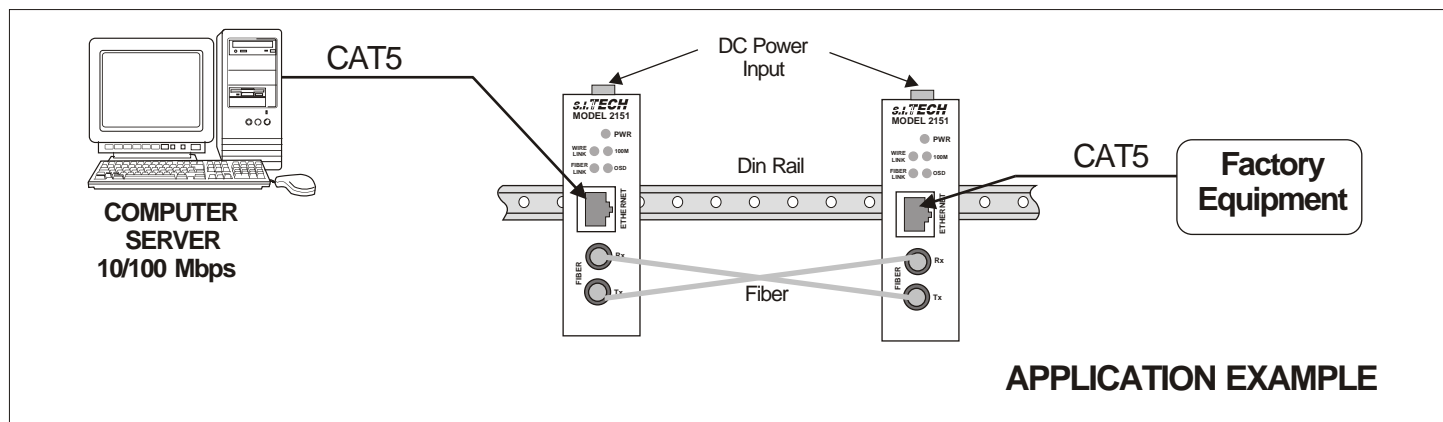
Fiber Size (Microns)	Attenuation (dB/Km)			Distance (Meters)			Distance (Feet)		
	Wavelength (nm)			Wavelength (nm)			Wavelength (nm)		
	850	1300	1550	850	1300	1550	850	1300	1550
50	3.0	1.0	-	2000	6000	-	6600	20000	-
62.5	3.5	1.0	-	2000	6000	-	6600	20000	-
10**	1.0	0.35	0.25	-	10000	12000	-	33000	40000

** Single mode option - 1300nm (for longer distances, high power, contact factory)

Optical Unit Connection: Connect the optical transmission line to the T and R receptacles. Note which cable channel goes to T or R by noting cable imprint. On the other end, reverse the connections.

Meets FCC requirements of Class A, Part 15 Computing Devices Standard.

Specifications subject to change without notice.



APPLICATION EXAMPLE