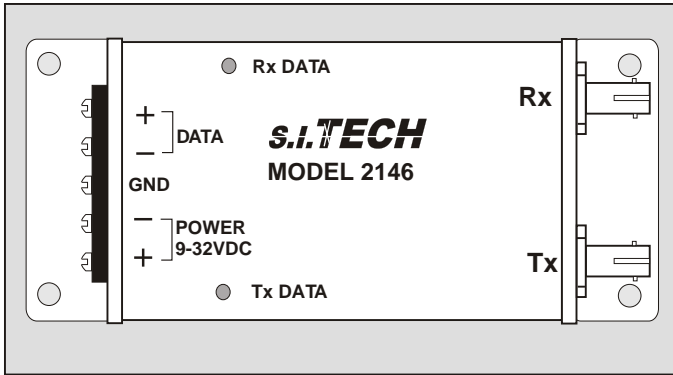


Optical Mini Bit-Driver



Features:

- RS-485 to Fiber Bit-Driver
- Works with Honeywell PLCs
- Access control system
- High Speed RS-485

TERMINALS UTILIZED BY 2146 BIT-DRIVER

Terminal	Terminals Left to Right
1	D+
2	D-
3	GND
4	PWR-
5	PWR+

Operation Mode: Half duplex

Input/Output Interface: RS-485, 2 wire port operating up to 1.0Mbps

Transmission Line Interface: ST connector is standard for interfacing with fiber optic duplex cable (SMA option)

Optical Power into a 62.5 Micron

Core Optical Fiber: 30 microwatts, 13 dB power budget @ 850 nanometers

Receiver Sensitivity: 1.0 microwatts at less than 10^{-9} bit error rate

Operating Temperature: 0 °C to 50 °C

Metal Enclosure: Panel or DIN rail mounting option

Weight: 0.25 lb (100 grams)

Input Power: 9 to 32VDC (S.I. Tech #2121power supply)

230V Version: Use S.I.Tech 2164 power supply

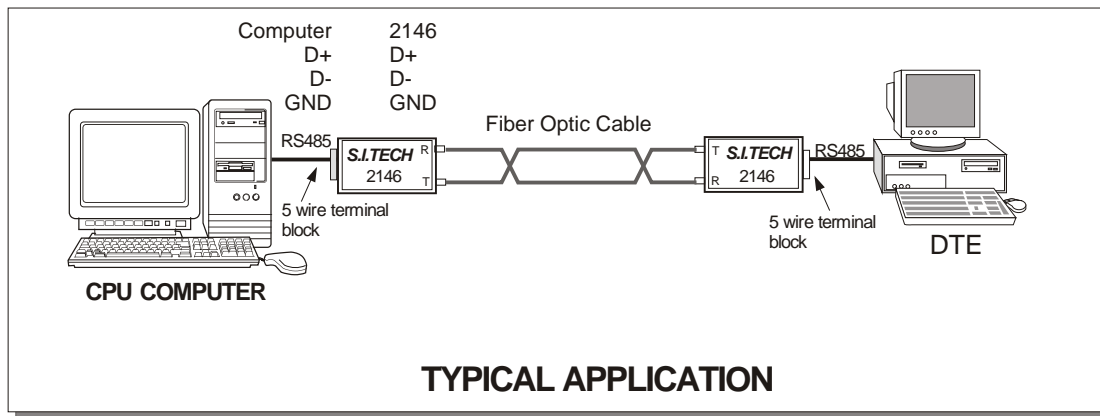
OPERATING DISTANCE FOR FIBER OPTIC CABLE

Fiber Size (Microns)	Attenuation dB/Km	Distance Meters*	Distance Feet*
50	3.0	2000	6600
62.5	3.5	2000	6600
10 (SM)	1.0	10000	33000

* High power option available

** SM - Single mode option (1310 nm)

*Meets FCC requirements of Class A, Part 15 Computing Devices Standard.
Specifications subject to change without notice.*



TYPICAL APPLICATION